

Pluggable thermomagnetic circuit breakers

- Device circuit breakers for protecting against voltage dips caused by overloads and short circuits
- SFB characteristic curve enables longer cables and tripping times < 10 ms
- Maximum ease of maintenance, thanks to the two-piece design
- Snap-in function for secure hold and easy removal
- Plug coding possible
- Slim design



Pluggable, SFB characteristic curve, 1-pos.



Pluggable, SFB characteristic curve, 2-pos.

CE, UL, ENEC, EAC, IEC, VDE, TÜV
Total width 12.3 mm

Technical data		
IEC	UL / CUL	CSA
50 V DC	50 V DC	-
Depends on the product variant selected		
See tripping characteristic		
SFB		
- / 600 A (50 V DC)		
6000 (at 1 x I _n)		
-30°C ... 60°C		
IP30 (Actuation area)		
EN 60934/UL 1077/UL 508/CSA 22.2		

CE, UL, ENEC, EAC, IEC, VDE, TÜV
Total width 24.6 mm

Technical data		
IEC	UL / CUL	CSA
80 V DC	80 V DC	-
Depends on the product variant selected		
See tripping characteristic		
SFB		
- / 600 A (80 V DC)		
6000 (240 V AC/1 x I _n)		
-30°C ... 60°C		
IP30 (Actuation area)		
EN 60934/UL 1077/UL 508/CSA 22.2		

Electrical data	
Rated voltage	50 V DC
Nominal current I _n	0.5 A, 1 A, 2 A, 3 A, 4 A, 5 A, 6 A, 8 A, 10 A, 12 A, 16 A
Disconnection	
Switch-off time	See tripping characteristic
Fuse type	SFB
Rated short-circuit switching capacity I _{cn}	- / 600 A (50 V DC)
Switching cycles, max.	6000 (at 1 x I _n)
General data	
Ambient temperature (operation)	-30°C ... 60°C
Degree of protection	IP30 (Actuation area)
Standards/regulations	EN 60934/UL 1077/UL 508/CSA 22.2

Ordering data			
Type	Order No.	Pcs./Pkt.	
CB TM1 0.5A SFB P	2800835	1	
CB TM1 1A SFB P	2800836	1	
CB TM1 2A SFB P	2800837	1	
CB TM1 3A SFB P	2800838	1	
CB TM1 4A SFB P	2800839	1	
CB TM1 5A SFB P	2800840	1	
CB TM1 6A SFB P	2800841	1	
CB TM1 8A SFB P	2800842	1	
CB TM1 10A SFB P	2800843	1	
CB TM1 12A SFB P	2800844	1	
CB TM1 16A SFB P	2800845	1	

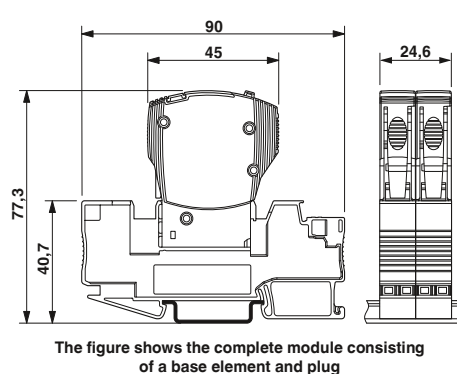
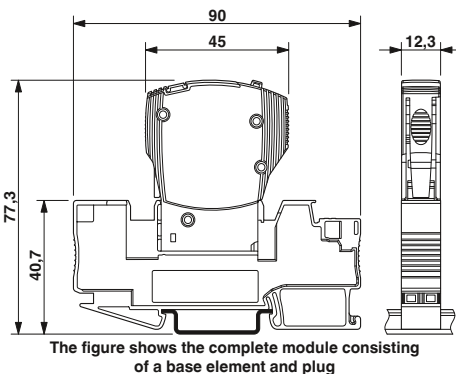
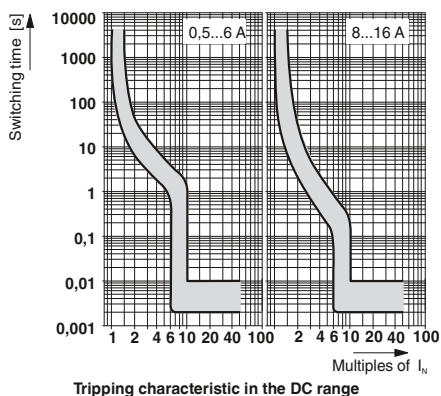
Ordering data			
Type	Order No.	Pcs./Pkt.	
CB TM2 0.5A SFB P	2800868	1	
CB TM2 1A SFB P	2800869	1	
CB TM2 2A SFB P	2800870	1	
CB TM2 3A SFB P	2800871	1	
CB TM2 4A SFB P	2800872	1	
CB TM2 5A SFB P	2800873	1	
CB TM2 6A SFB P	2800874	1	
CB TM2 8A SFB P	2800875	1	
CB TM2 10A SFB P	2800876	1	
CB TM2 12A SFB P	2800877	1	
CB TM2 16A SFB P	2800878	1	

Description	Nominal current
Thermomagnetic circuit breaker, pluggable, 1-pos., signal contact 1 PDT	0.5 A, 1 A, 2 A, 3 A, 4 A, 5 A, 6 A, 8 A, 10 A, 12 A, 16 A

Accessories			
Accessories	Order No.	Pcs./Pkt.	
CB PT BRIDGE	2801014	1	
CB 1/6-2/4 PT-BE	2800929	10	
CB 1/10-1/10 UT-BE	2801305	10	
CB S-BE	2905067	30	

Accessories			
Accessories	Order No.	Pcs./Pkt.	
CB PT BRIDGE	2801014	1	
CB 1/6-2/4 PT-BE	2800929	10	
CB 1/10-1/10 UT-BE	2801305	10	
CB S-BE	2905067	30	

Bridge plug, 0 volt distribution	
Base element	With Push-in connection technology With screw connection technology For the PCB



Device circuit breakers

Thermomagnetic device circuit breakers

Pluggable thermomagnetic circuit breakers

- Device circuit breakers for protecting against voltage dips caused by overloads and short circuits
- Medium-blow and fast-blow tripping characteristics
- 1- and 2-pos. circuit breakers
- Maximum ease of maintenance, thanks to the two-piece design
- Snap-in function for secure hold and easy removal
- Plug coding possible
- Slim design



Pluggable, M1 characteristic curve, 1-pos.



Pluggable, M1 characteristic curve, 2-pos.



Total width 12.3 mm

Technical data

IEC	UL / CUL	CSA
240 V AC	277 V AC	-
50 V DC	50 V DC	-
Depends on the product variant selected		

See tripping characteristic
normal blow
300 A (240 V AC) / 600 A (50 V DC)
6000 (at 1 x I_n)

-30°C ... 60°C
IP30 (Actuation area)
EN 60934/UL 1077/UL 508/CSA 22.2

Ordering data

Type	Order No.	Pcs./Pkt.
CB TM1 0.5A M1 P	2800846	1
CB TM1 1A M1 P	2800847	1
CB TM1 2A M1 P	2800848	1
CB TM1 3A M1 P	2800849	1
CB TM1 4A M1 P	2800850	1
CB TM1 5A M1 P	2800851	1
CB TM1 6A M1 P	2800852	1
CB TM1 8A M1 P	2800853	1
CB TM1 10A M1 P	2800854	1
CB TM1 12A M1 P	2800855	1
CB TM1 16A M1 P	2800856	1

Accessories

Accessories	Order No.	Pcs./Pkt.
CB PT BRIDGE	2801014	1
CB 1/6-2/4 PT-BE	2800929	10
CB 1/10-1/10 UT-BE	2801305	10
CB S-BE	2905067	30



Total width 24.6 mm

Technical data

IEC	UL / CUL	CSA
240 V AC	277 V AC	-
80 V DC	80 V DC	-
Depends on the product variant selected		

See tripping characteristic
normal blow
400 A (240 V AC) / 600 A (80 V DC)
6000 (240 V AC/1 x I_n)

-30°C ... 60°C
IP30 (Actuation area)
EN 60934/UL 1077/UL 508/CSA 22.2

Ordering data

Type	Order No.	Pcs./Pkt.
CB TM2 0.5A M1 P	2800879	1
CB TM2 1A M1 P	2800880	1
CB TM2 2A M1 P	2800881	1
CB TM2 3A M1 P	2800882	1
CB TM2 4A M1 P	2800883	1
CB TM2 5A M1 P	2800884	1
CB TM2 6A M1 P	2800885	1
CB TM2 8A M1 P	2800886	1
CB TM2 10A M1 P	2800887	1
CB TM2 12A M1 P	2800888	1
CB TM2 16A M1 P	2800889	1

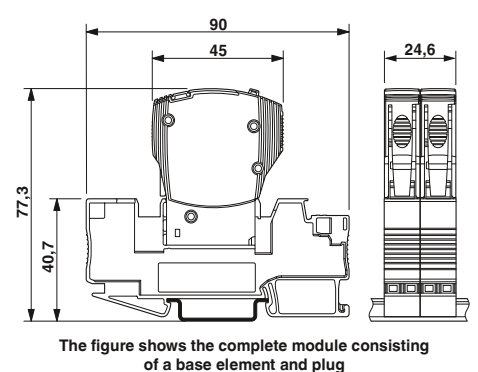
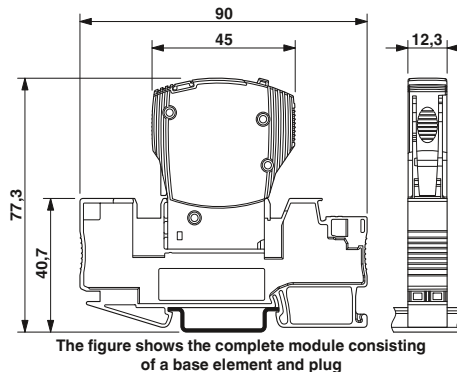
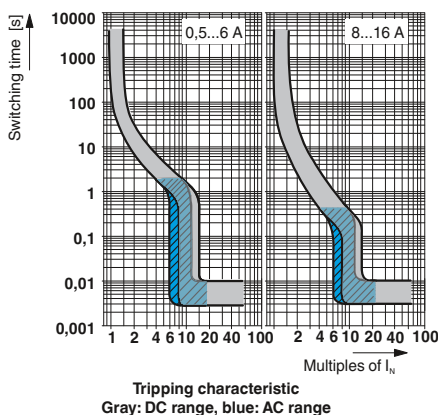
Accessories

Accessories	Order No.	Pcs./Pkt.
CB PT BRIDGE	2801014	1
CB 1/6-2/4 PT-BE	2800929	10
CB 1/10-1/10 UT-BE	2801305	10
CB S-BE	2905067	30

Electrical data
Rated voltage
Rated voltage
Nominal current I _N
Disconnection
Switch-off time
Fuse type
Rated short-circuit switching capacity I _{cn}
Switching cycles, max.
General data
Ambient temperature (operation)
Degree of protection
Standards/regulations

Description	Nominal current
Thermomagnetic circuit breaker, pluggable, signal contact 1 PDT	0.5 A
	1 A
	2 A
	3 A
	4 A
	5 A
	6 A
	8 A
	10 A
	12 A
	16 A

Bridge plug, 0 volt distribution
Base element
With Push-in connection technology
With screw connection technology
For the PCB



Pluggable thermomagnetic circuit breakers

- Device circuit breakers for protecting against voltage dips caused by overloads and short circuits
- Medium-blow and fast-blow tripping characteristics
- 1- and 2-pos. circuit breakers
- Maximum ease of maintenance, thanks to the two-piece design
- Snap-in function for secure hold and easy removal
- Plug coding possible
- Slim design



Pluggable, F1 characteristic curve, 1-pos.



Pluggable, F1 characteristic curve, 2-pos.



Electrical data	
Rated voltage	50 V DC
Nominal current I_n	0.5 A, 1 A, 2 A, 3 A, 4 A, 5 A, 6 A, 8 A, 10 A, 12 A, 16 A
Disconnection	
Switch-off time	See tripping characteristic
Fuse type	fast blow
Rated short-circuit switching capacity I_{cn}	- / 600 A (50 V DC)
Switching cycles, max.	6000 (at 1 x I_n)
General data	
Ambient temperature (operation)	-30°C ... 60°C
Degree of protection	IP30 (Actuation area)
Standards/regulations	EN 60934/UL 1077/UL 508/CSA 22.2

Technical data		
IEC	UL / CUL	CSA
50 V DC	50 V DC	-
Depends on the product variant selected		
See tripping characteristic		
fast blow		
- / 600 A (50 V DC)		
6000 (at 1 x I_n)		
-30°C ... 60°C		
IP30 (Actuation area)		
EN 60934/UL 1077/UL 508/CSA 22.2		

Technical data		
IEC	UL / CUL	CSA
80 V DC	80 V DC	-
Depends on the product variant selected		
See tripping characteristic		
fast blow		
- / 600 A (80 V DC)		
6000 (240 V AC/1 x I_n)		
-30°C ... 60°C		
IP30 (Actuation area)		
EN 60934/UL 1077/UL 508/CSA 22.2		

Description	Nominal current
Thermomagnetic circuit breaker, pluggable, signal contact 1 PDT	0.5 A, 1 A, 2 A, 3 A, 4 A, 5 A, 6 A, 8 A, 10 A, 12 A, 16 A

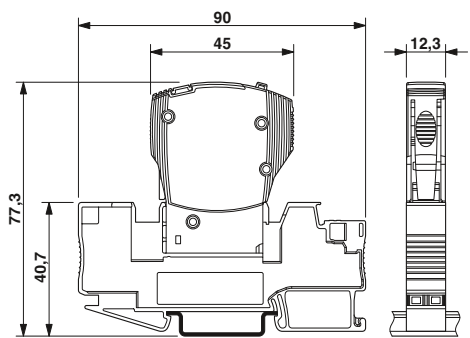
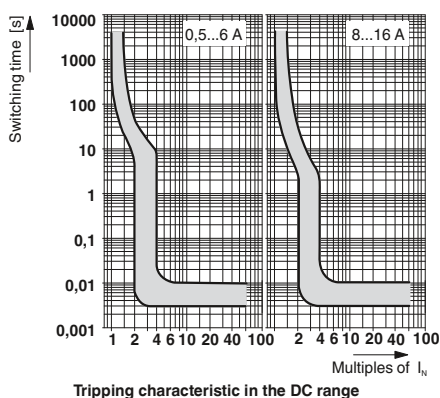
Ordering data			
Type	Order No.	Pcs./Pkt.	
CB TM1 0.5A F1 P	2800857	1	
CB TM1 1A F1 P	2800858	1	
CB TM1 2A F1 P	2800859	1	
CB TM1 3A F1 P	2800860	1	
CB TM1 4A F1 P	2800861	1	
CB TM1 5A F1 P	2800862	1	
CB TM1 6A F1 P	2800863	1	
CB TM1 8A F1 P	2800864	1	
CB TM1 10A F1 P	2800865	1	
CB TM1 12A F1 P	2800866	1	
CB TM1 16A F1 P	2800867	1	

Ordering data			
Type	Order No.	Pcs./Pkt.	
CB TM2 0.5A F1 P	2800890	1	
CB TM2 1A F1 P	2800891	1	
CB TM2 2A F1 P	2800892	1	
CB TM2 3A F1 P	2800893	1	
CB TM2 4A F1 P	2800894	1	
CB TM2 5A F1 P	2800895	1	
CB TM2 6A F1 P	2800896	1	
CB TM2 8A F1 P	2800897	1	
CB TM2 10A F1 P	2800898	1	
CB TM2 12A F1 P	2800899	1	
CB TM2 16A F1 P	2800900	1	

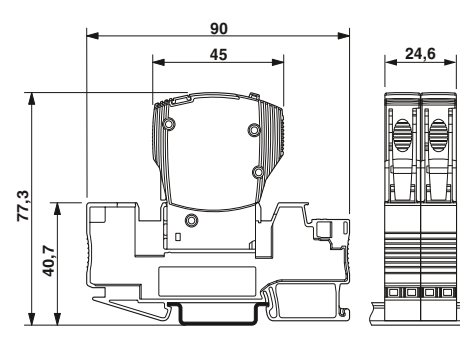
Accessories	
Bridge plug, 0 volt distribution	
Base element	With Push-in connection technology With screw connection technology For the PCB

Accessories		
CB PT BRIDGE	2801014	1
CB 1/6-2/4 PT-BE	2800929	10
CB 1/10-1/10 UT-BE	2801305	10
CB S-BE	2905067	30

Accessories		
CB PT BRIDGE	2801014	1
CB 1/6-2/4 PT-BE	2800929	10
CB 1/10-1/10 UT-BE	2801305	10
CB S-BE	2905067	30



The figure shows the complete module consisting of a base element and plug



The figure shows the complete module consisting of a base element and plug